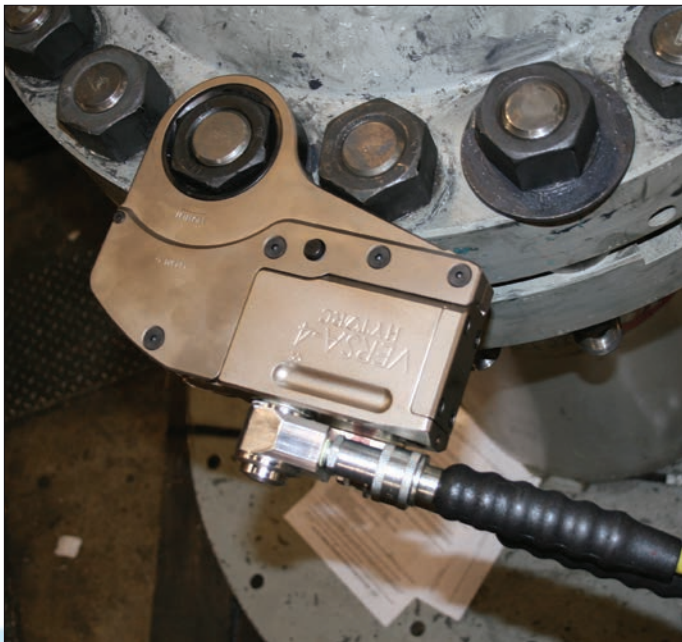


The World's Most Trusted Industrial Torque and Tension Systems

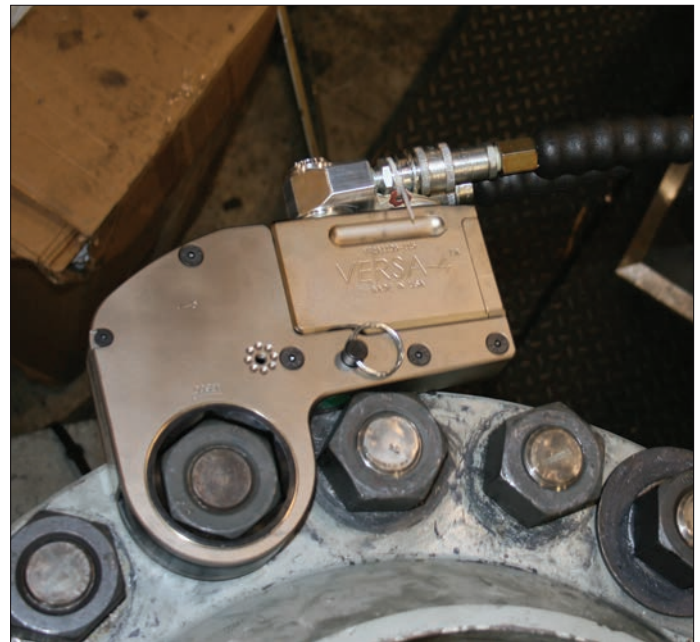
# VERSA™ SERIES

Limited Clearance Hydraulic Torque Wrench

- The most economical limited clearance torque wrench in the world
- Built to withstand the rigors of daily use in heavy industry
- Versatile for use with hex, 12-point, castle-nut sockets, etc
- Available with tight radius hex adapter for limited space
- Seven models with torque output up to 20,000 ft-lbs
- VERSA slim tool is ideal for jobs on blowout preventers
- Uniswivel technology for free movement and positioning of tool and hoses



OPTIONAL SLIM-LINK AVAILABLE



**24 Hour SERVICE**

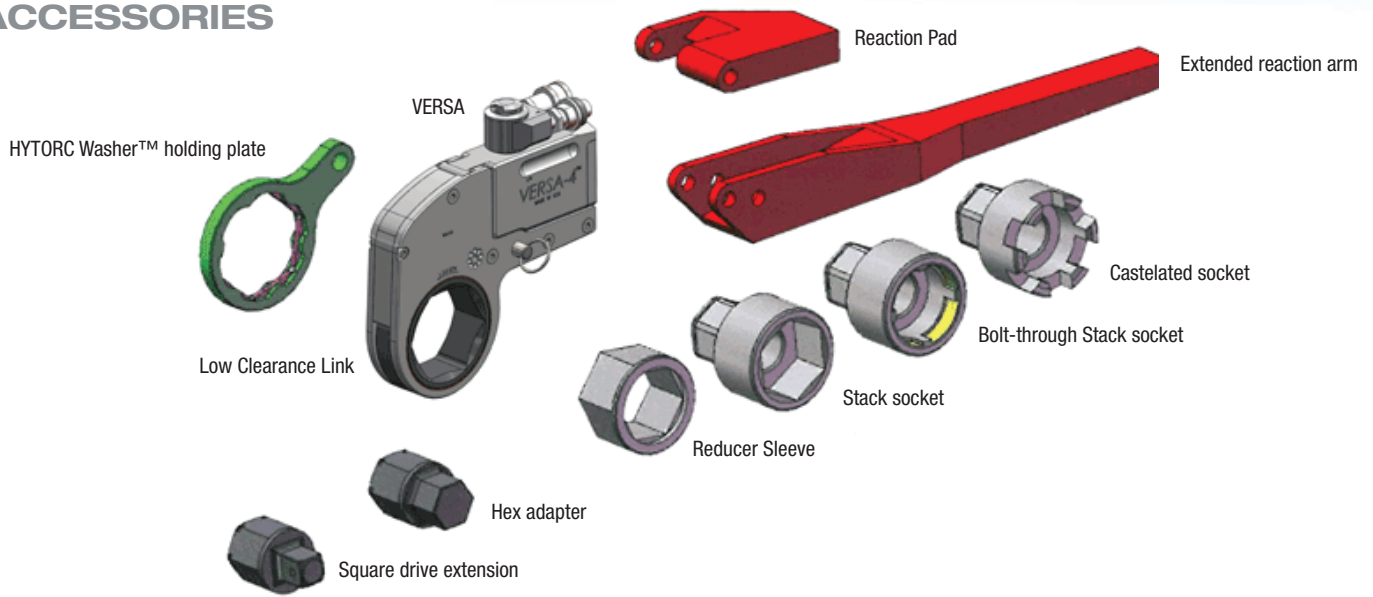
**800-FOR-HYTORC**

[www.hytorc.com](http://www.hytorc.com)

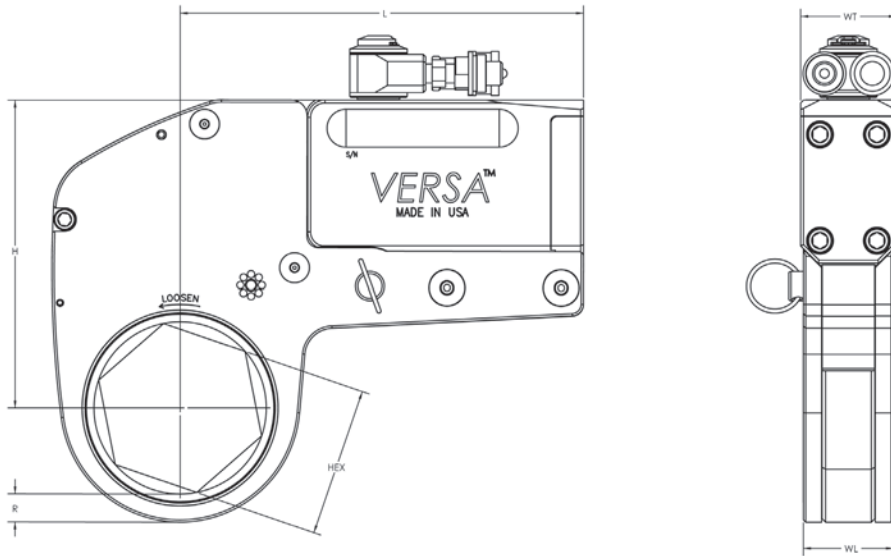
**HYTORC®**  
Since 1968

333 RT. 17 N. MAHWAH, NJ 07430

## ACCESSORIES



## DIMENSIONAL DATA



Model	DRIVE	R	L	H	WL	WT	Weight	Min Torque	Max Torque
	Inches/mm						Lbs./Kg	Ft. Lbs./Nm	
VERSA-1	¾"	0.30/8	4.23/107	3.42/87	0.94/24	1.06/27	3.10/1.41	140/190	1,000/1,356
VERSA-2	¾"	0.38/10	5.30/135	3.73/95	1.13/29	1.25/32	3.30/1.50	261/354	1,920/2,603
VERSA-4	1"	0.51/13	7.07/180	5.52/140	1.51/38	1.67/42	7.20/3.27	654/887	4,502/6,104
VERSA-8	1 ½"	0.72/18	8.60/218	6.53/166	1.89/48	2.10/53	11.90/5.41	1,350/1,830	8,998/12,200
VERSA-14	1 ½"	0.73/19	10.52/267	8.03/204	2.35/60	2.50/64	19.30/8.77	2,194/2,975	15,011/20,352
VERSA-20	1 ½"	0.92/23	10.93/278	8.87/225	2.89/73	3.00/76	25.00/11.36	3,205/4,345	22,112/29,979
VERSA-30	1 ½"	1.00/25	13.89/353	10.95/278	3.00/76	3.75/95	47.70/21.68	5,394/7,313	36,777/49,862